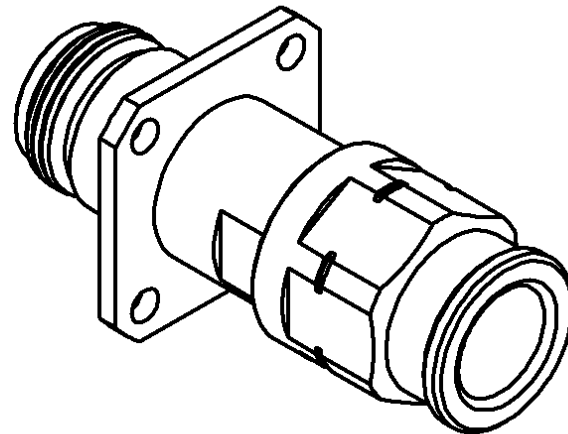
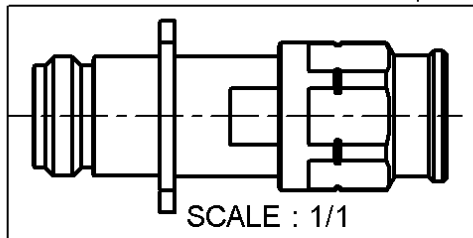
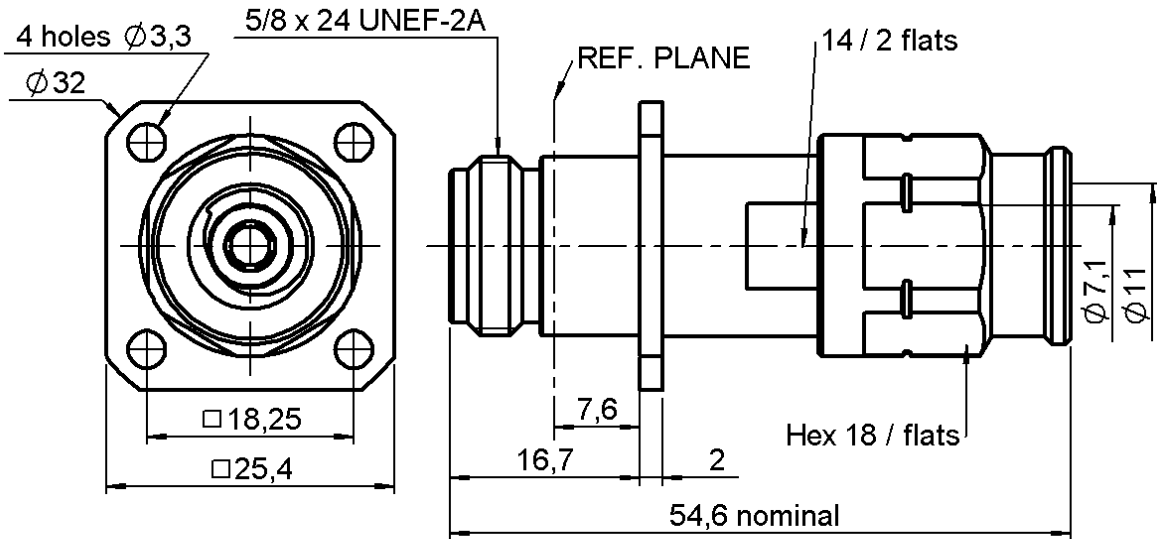


**STRAIGHT SQUARE FLANGE JACK CLAMP TYPE**

**R161.279.207**

**CABLE 3/8" SUPERFLEXIBLE CORRUGATED**

Series : N



**PANEL CUT OUT**

	mm	
	Maxi	mini
A	16.3	16.1
B	3.3	3.2
C	18.35	18.15

All dimensions are in mm.

COMPONENTS	MATERIALS	PLATING
BODY	BRASS	BBR 0.5 OVER SILVER 3
CENTRE CONTACT	BERYLLIUM COPPER	SILVER 3 OVER COPPER 0.5
OUTER CONTACT	-	-
INSULATOR	PTFE	-
GASKET	SILICONE RUBBER	-
OTHERS PARTS	BRASS	BBR 0.5 OVER SILVER 3
-	-	-
-	-	-



Issue : 0220 C

Design changes may be in order to improve the product.

**STRAIGHT SQUARE FLANGE JACK CLAMP TYPE**

**R161.279.207**

**CABLE 3/8" SUPERFLEXIBLE CORRUGATED**

Series : N

**ELECTRICAL CHARACTERISTICS**

Impedance **50** Ω  
 Frequency **0-11** GHz  
 VSWR **1.3 + 0.000** x F(GHz) Maxi  
 Insertion loss **0.048** √F(GHz) dB  
 RF leakage - ( **101** - F(GHz)) dB mini  
 Voltage rating **1400** Veff Maxi  
 Dielectric withstanding voltage **2500** Veff mini  
 Insulation resistance **5000** MΩ mini

**SPECIFICATION**

Stripping	a	b	c	d	e	f
mm	5.50	5.00	11.5	0.00	0.00	0.00

Assembly instruction :

Recommended cable(s)  
 FSJ2-50-3/8" HELIAX  
 HCF 3/8" Cu2Y AlCu  
 HCF 3/8" CuH

Cable retention

- pull off **500** N mini  
 - torque **NA** N.cm

**MECHANICAL CHARACTERISTICS**

Centre contact retention  
 Axial force – Mating end **68** N mini  
 Axial force – Opposite end **68** N mini  
 Torque **NA** N.cm mini

**TOOLING**

Part Number	Description	Hexagon
.	.	.
R282.010.040	STRIPPING TOOL	
R282.303.220	TORQUE SPANNER .708 in 84.075 in.lb	

Recommended torque  
 Mating **NA** N.cm  
 Panel nut **NA** N.cm  
 Clamp nut **950** N.cm  
 A/F clamp nut **14.000** mm

**OTHERS CHARACTERISTICS**

PIM3 < -155 dBc (-112 dBm) 2x20W

Mating life **500** Cycles mini  
 Weight **67.752** g

**ENVIRONMENTAL**

Operating temperature **-55/+105** °C  
 Leakage – pressurised only **NA** Atm.cm3/s  
 Hermetic seal **NA** Mpa



Issue : 0220 C

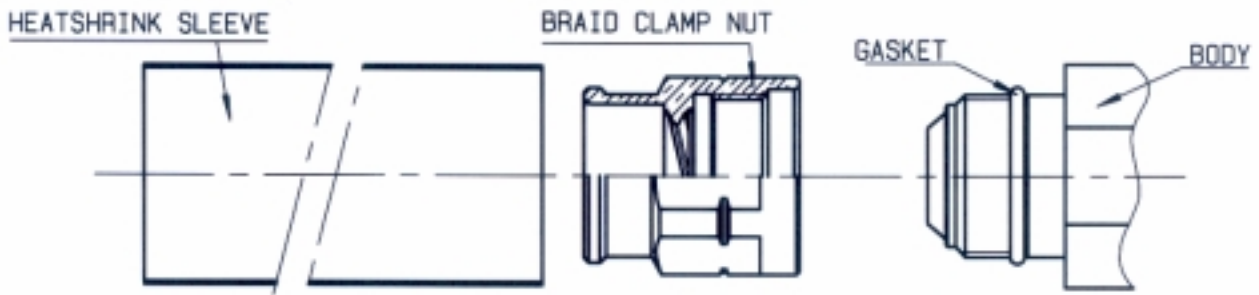
Design changes may be in order to improve the product.

**STRAIGHT SQUARE FLANGE JACK CLAMP TYPE**

**R161.279.207**

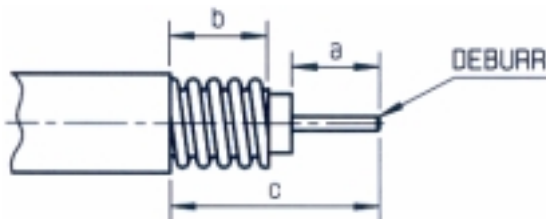
**CABLE 3/8" SUPERFLEXIBLE CORRUGATED**

Series : N



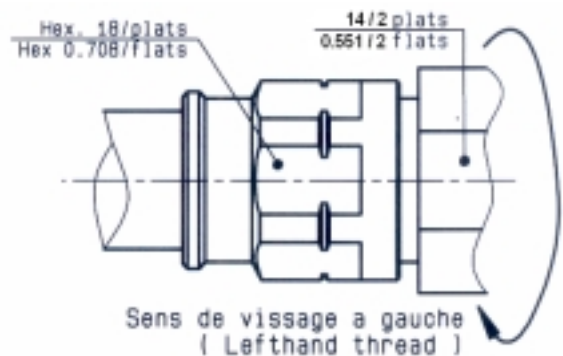
1

- Strip the cable
- Do not damage the outer conductor.
- Deburr cable inner conductor.



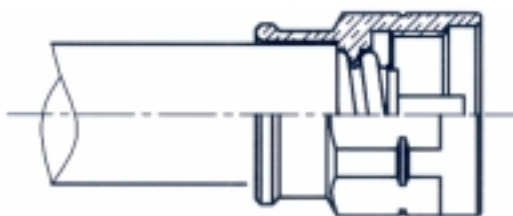
3

- Screw the connector onto the assembly.  
WARNING : Screw the connector on the braid clamp nut turning left (left-hand thread) so that the copper outer conductor is being squeezed.

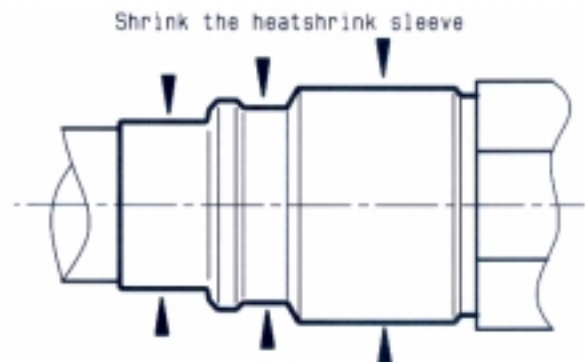


2

- Slide the heatshrink sleeve onto the cable.
- Screw manually the braid clamp nut onto cable outer conductor until stop.



4



Issue : 0220 C

Design changes may be in order to improve the product.